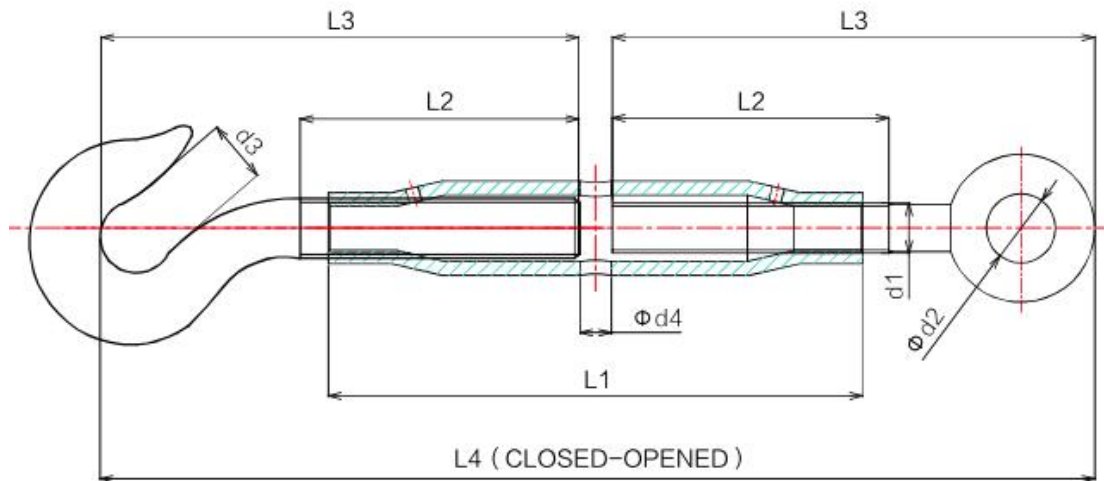


Turnbuckle DIN 1478, closed body turnbuckle, heavy duty turnbuckle, turnbuckle eye to eye, forks, hooks etc.

Hook eye turnbuckle DIN 1478



Part No.	Thread d1	d2	d3	d4	L1	L2	L3	L4	Adjustable	Weight kg
THE0060	M6	9	8	6	110	55	77	160-250	90	0.128
THE0080	M8	10	9.5	6	110	57	85	176-261	85	0.189
THE0100	M10	14	12	8	125;	68	105	220--315	95	0.325
THE0120	M12	16	15	10	125	70	115	240-330	90	0.427
THE0160	M16	22	19	10	170	88	144	298-418	120	0.931
THE0200	M20	24	20	12	200	105	168	348-488	140	1.468
THE0240	M24	28	25	12	255	135	215	430-610	180	2.899
THE0300	M30	31	31	16	255	135	240	496-656	160	4.2
THE0360	M36	38	44	16	295	160	277	570-750	160	8.28

