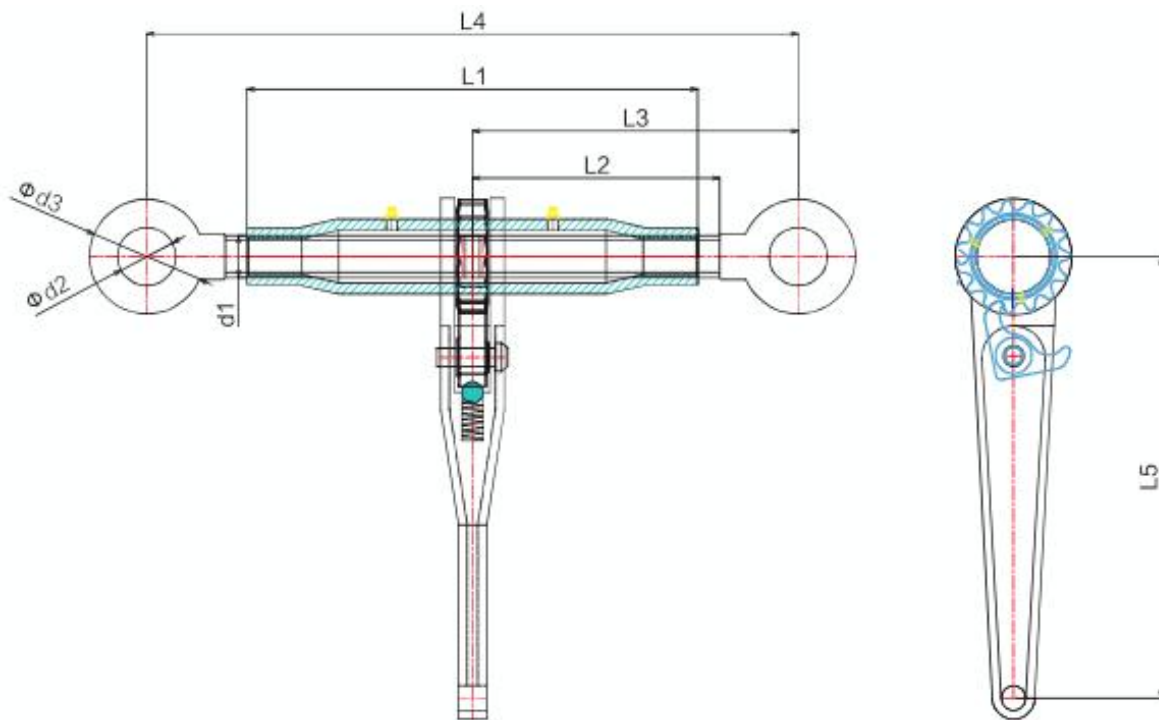


Heavy duty ratchet Jack



Part No.	Thread d1	d2	d3	L1	L2 MIN	L3	L4	L5	Adjustable	Weight kg
RE1200	M20	24	52	200	105	168	336-476	250	140	
RE1240	M24	28	65	255	135	212	424-604	250	180	4.12
RE1300	M30	31	71	255	135	224	448-608	350	160	
RE1360	M36	38	94	295	160	277	554-734	350	180	

Heavy duty ratchet jack is adjustable mechanical tensioners, with metric thread or ACME thread LH and RH. Used to adjust various equipment as simplex ratchet jack, aluminum material ratchet screw jack for 3 point hitch.

Bulldog ratchet jack is for tractor supply capacity 50KN, 200mm stroke, drop forged eye or clevis jaw, rubber handle ratchet wrench with heavy duty trailer lifting stabilizer jack, find the low price and a great selection from Swintool.